

E-Connect

Heating Cable Connection System

Product Specifications

Application . . .

Power Connection, In-Line/T-Splice

Thermon's E-Connect is an easy connection system designed to provide a reliable method for rapid, trouble-free installation of Thermon heating cables. It's modular design provides a solution for quick installation with a large number of connection combination possibilities.

Compatible with all Thermon FLX™, RSX™, RGS™ and HSX® self-regulating heating cables. The E-Connect electrical connectors have an integral strain relief and are available with screw connection technology. Customized junction boxes with pre-wired female connectors allow heat tracing or power cables to be plugged in and integrated into the installation.

E-Connect kits are approved for use in ordinary (nonclassified) areas.

Connectors Ratings/Specifications . . .

Maximum voltage rating.....	250 Vac / 50 Hz
Maximum current	16 Amp
Maximum exposure temperature.....	100°C
Minimum exposure temperature	-40°C
Electrical connection	3 Poles, brass, surface plated
Housing material	Thermoplastic, PA66, halogen free, V-2
Enclosure rating.....	IP68 (2 hours on a water depth of 3 metres)
Sealing material.....	NBR



EC-3 Kit Shown

Description . . .

Thermon's Easy Connection system is safe and reliable. Combining male and female connector types together with a splicing connector block and end caps makes a large number of connection combinations possible.



Certifications/Approvals . . .



THERMON . . . The Heat Tracing Specialists®
www.thermon.com

ISO 9001
REGISTERED

tce Thermal Controls
and Electronics

TC-E B.V.
Nieuwland Parc 314c
2952 DD Alblasterdam
The Netherlands

+31 (0) 183 20 10 88
sales@tc-e.nl
www.tc-e.nl - www.heattrace.eu
Authorized Thermon distributor

E-Connect

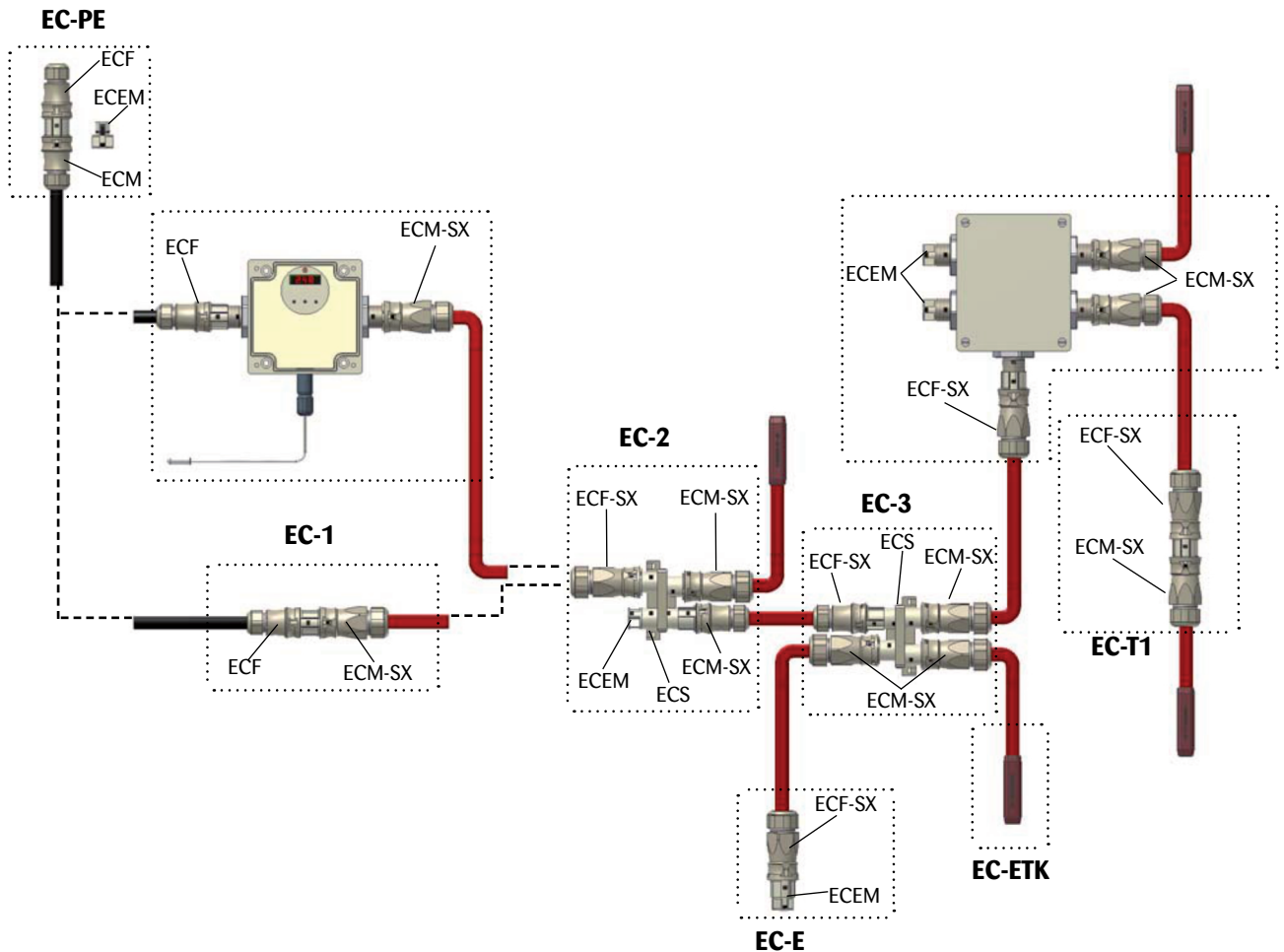
Heating Cable Connection System

E-Connection Kit Content . . .

- EC-1**Power to Heat Tracer Connection Kit
- EC-2** Power to 2 Heat Tracers Connection Kit
- EC-3** Power to 3 Heat Tracers Connection Kit
- EC-T1**Heat Tracer to Heat Tracer Connection Kit
- EC-PE** Power to Power /End Connection Kit
- EC-E** End Termination Kit for Heat Tracer Cable
- EC-ETK**End Termination Kit for Heat Tracing Cable

NOTE: Separate parts are available. By combining the separate parts, different connections are possible.

Tools Required . . .



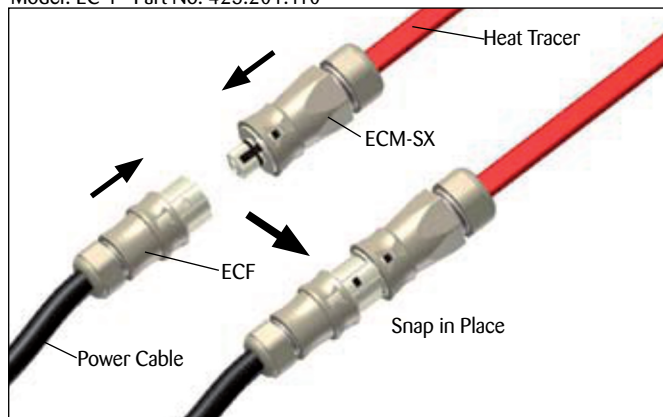
The Heat Tracing Specialists®

E-Connect

Heating Cable Connection System

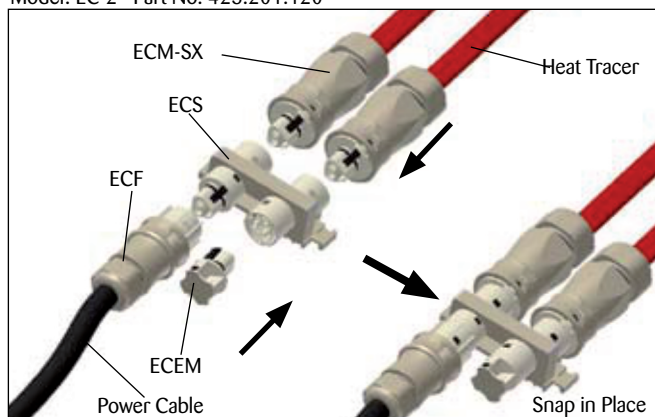
Kit Configuration

Model: EC-1 Part No. 423.201.110



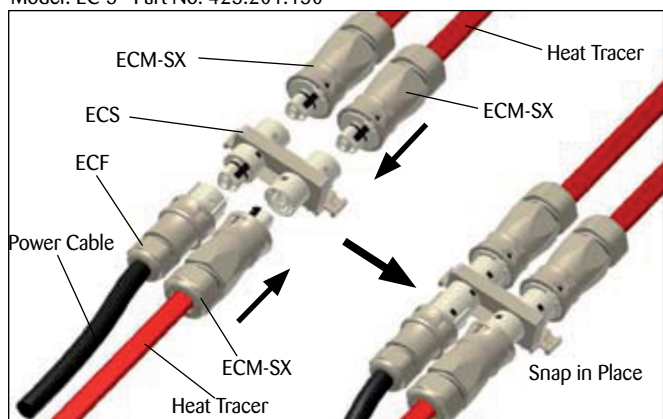
Power To Heat Tracer Connection Kit:
(1) ECF, (1) ECM-SX

Model: EC-2 Part No. 423.201.120



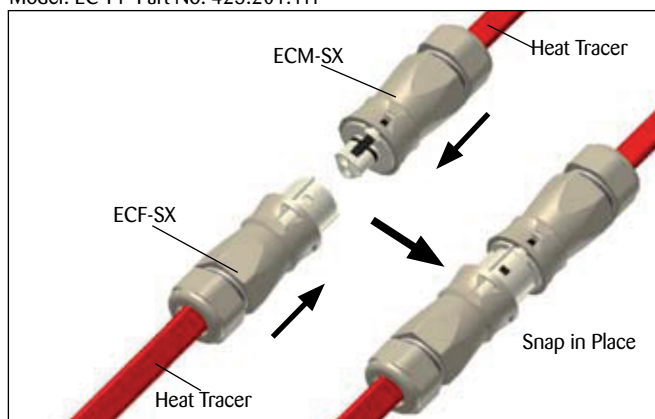
Power To (2) Heat Tracers Connection Kit:
(1) ECF, (2) ECM-SX, (1) ECS

Model: EC-3 Part No. 423.201.130



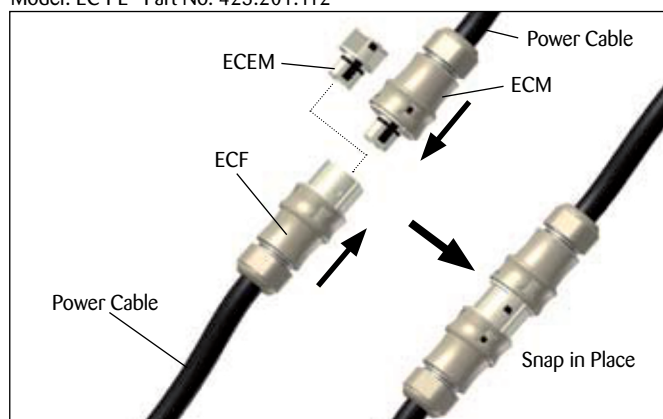
Power To (3) Heat Tracers Connection Kit:
(1) ECF, (3) ECM-SX, (1) ECS

Model: EC-T1 Part No. 423.201.111



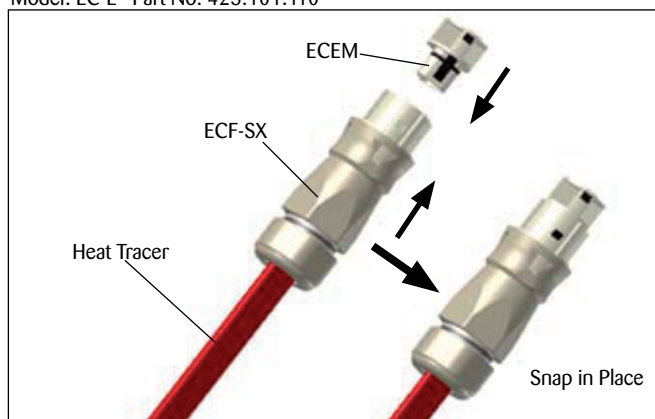
Heat Tracer To Heat Tracer Connection Kit:
(1) ECF-SX, (1) ECM-SX

Model: EC-PE Part No. 423.201.112



Power To Power / End Connection Kit:
(1) ECF, (1) ECM, (1) ECEM.

Model: EC-E Part No. 423.101.110



End Termination Kit For Heat Tracing Cable:
(1) ECF-SX, (1) ECEM.

Model: EC - ETK Part No. 423.101.111



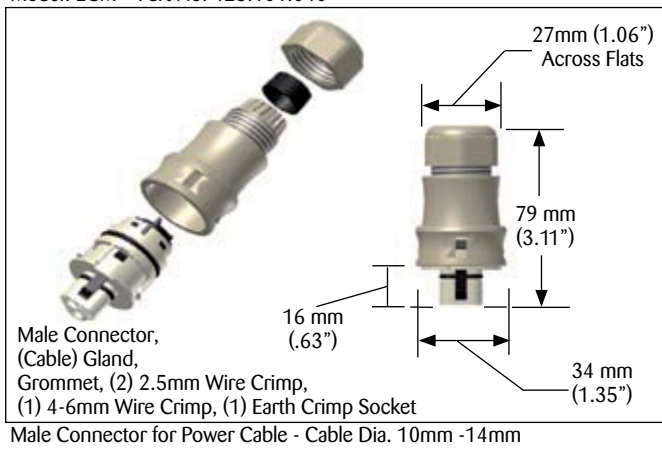
End Termination Kit for Heat Tracing Cable

E-Connect

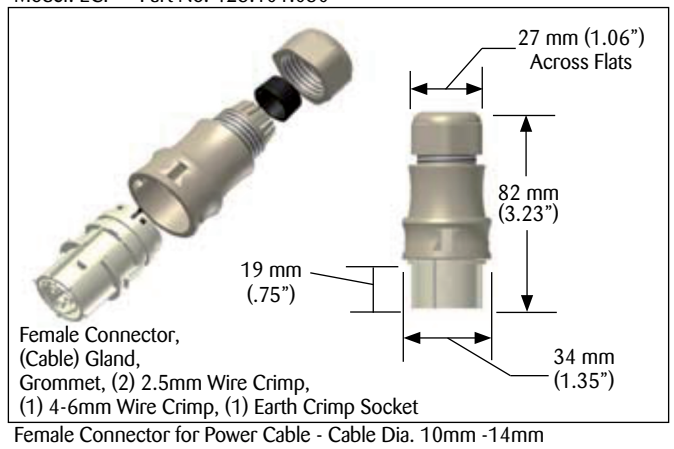
Heating Cable Connection System

E-Connect - Parts

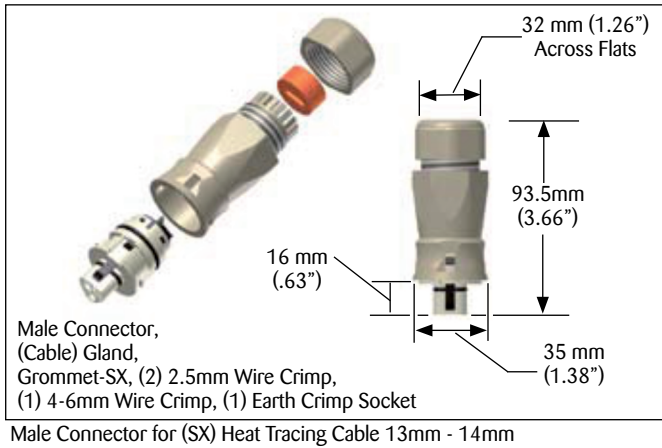
Model: ECM Part No. 423.101.040



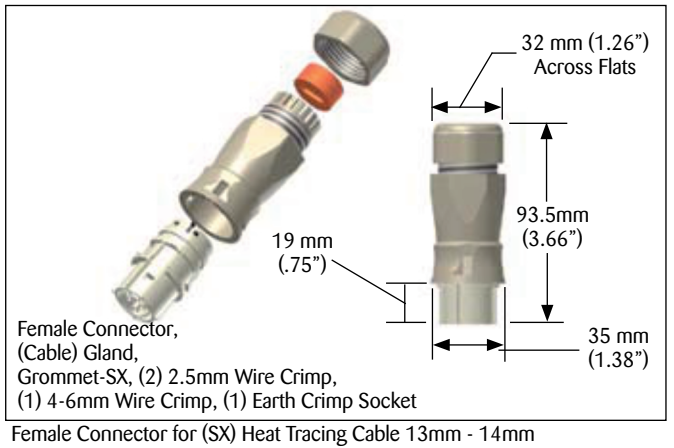
Model: ECF Part No. 423.101.030



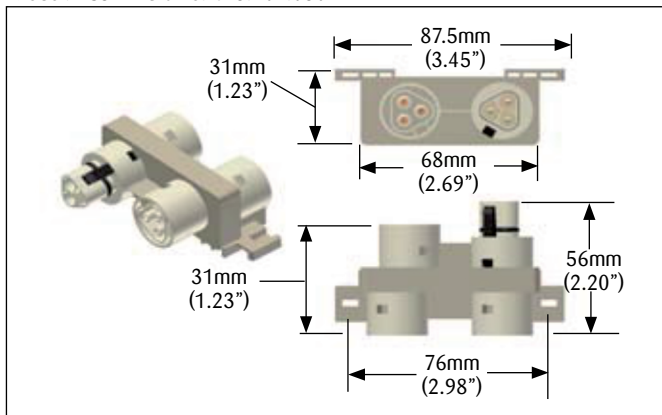
Model: ECM-SX Part No. 423.101.020



Model: ECF-SX Part No. 423.101.010



Model: ECS Part No. 423.101.050



Model: ECEM Part No. 423.101.060

