

JB-K and JB-K-0

Heat Tracing Junction Box

Product Specifications

Benefits . . .

The JB-K and JB-K-0 are easy to install, rugged and impact resistant suitable for industrial environments and are high chemical and seawater resistant.

Specifications . . .

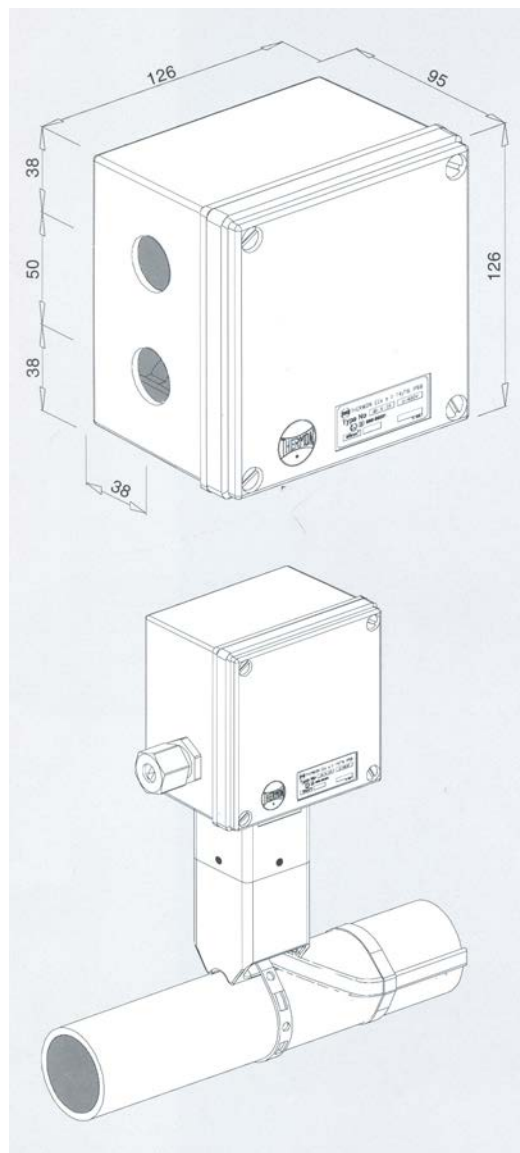
The enclosure is manufactured using non metallic material suitable for severe industrial conditions.

Standard terminals 4 x 6mm² + 2 x PE 6mm²
 Maximum current 6mm² - 22A (T6) /46A (T4)
 Maximum voltage rating 550 Vac

	Area	
	Non-haz	Hazardous
Max. exposure temp.	90°C	90°C
Degree of protection		
- Wall mounting	IP66	IP66
- With XP Plus	IP65	IP65
Colour	Grey	Black
Surface resistance	N/A	<10 ⁹ Ω
Approval/CE Marking	N/A /Yes	EEx e II T6/ T4 N/A
JB-K/XP Plus	2 x M25* c/w gland and blind plug	2 x M25* c/w gland and blind plug
JB-K-0	2 x M25* c/w gland and/or blind plugs	2 x M25* c/w gland and/or blind plugs

Notes:

*Other entry sizes on request (non-stocking items)



THERMON...The Heat Tracing Specialists®
www.thermon.com

tce Thermal Controls and Electronics

TC-E B.V.
 Nieuwland Parc 314c
 2952 DD Alblasserdam
 The Netherlands

+31 (0) 183 20 10 88
sales@tc-e.nl
www.tc-e.nl - www.heattrace.eu
Authorized Theron distributor