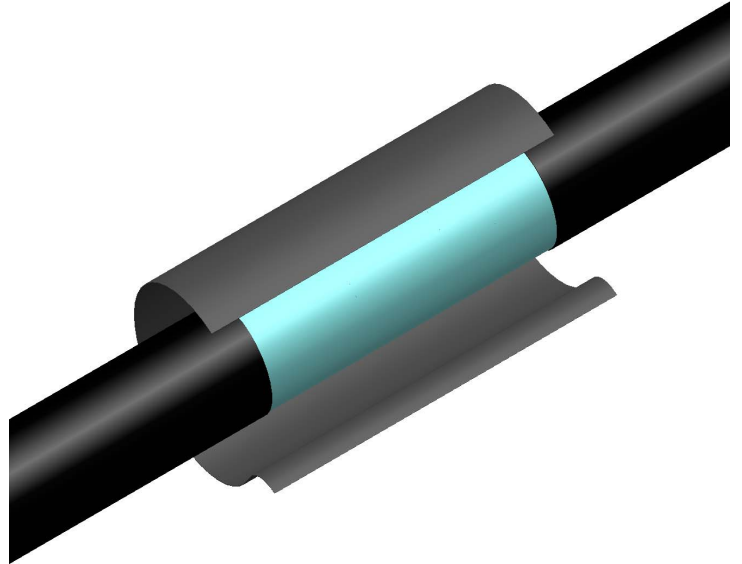


FAK-8/FAK-8L

In-Line Splice Kit
for ThermoTube® or TubeTrace®

INSTALLATION PROCEDURES



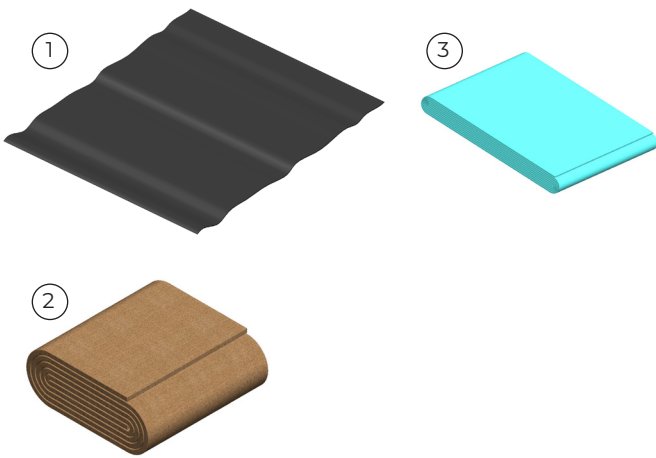
FAK-8/FAK-8L: In-Line Splice Kit

The following installation procedures are suggested guidelines for the installation of termination connection systems.

Receiving, Storing and Handling

1. Inspect materials for damage incurred during shipping.
2. Report damages to the carrier for settlement.
3. Identify parts against the packing list to ensure the proper type and quantity has been received.
4. Store in dry location.

FAK-8* Patch Kit Contents



Item	Qty.	Description
1	1	Self-Sealing Rubber Patch
2	1	Glass Fiber Insulation
3	1	Heat Reflective Tape

*These instructions are for use with FAK-8 or FAK-8L

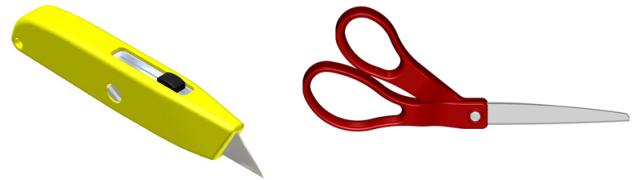
Installation Precautions

- Individuals installing these products are responsible for complying with all applicable safety and health guidelines. Proper personal protective equipment, or PPE, should be utilized during installation. Contact Thermon if you have any additional questions.

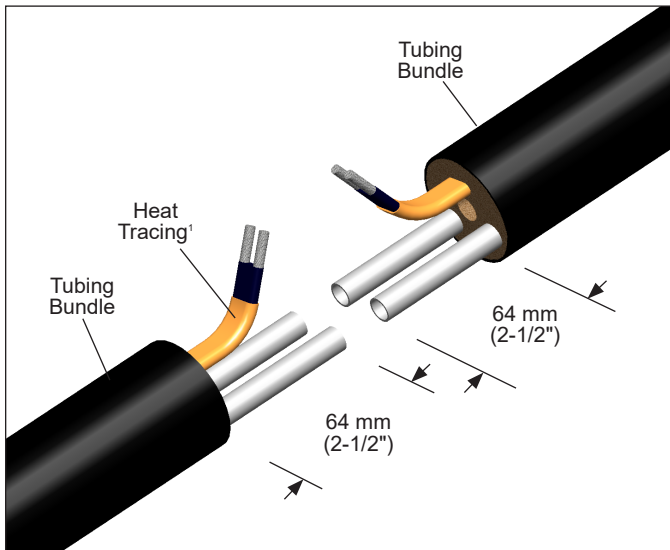
For SE/ME Electrically Heated TubeTrace

- To minimize the potential for arcing and ground-fault protection. The National Electrical Code (NEC) and Canadian Electrical Code (CEC) require ground-fault protection of equipment for each branch circuit supplying electric heat tracing.
- Installation must comply with Thermon requirements and be installed in accordance with the NEC, CEC, or any other applicable national and local codes.
- Component approvals and performance ratings are based on the use of Thermon specified parts only. User supplied power connection fittings must be listed or certified for intended use.
- De-energize all power sources before opening enclosure.
- Keep ends of heating cable and kit components dry before and during installation.

Tools Required



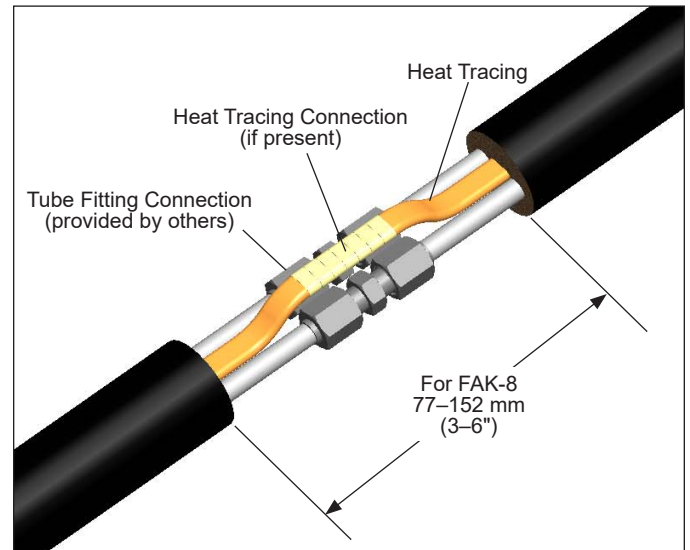
INSTALLATION PROCEDURES



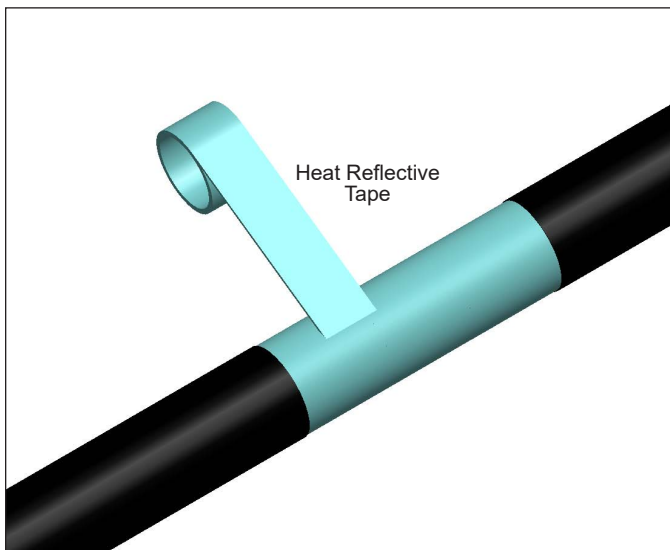
1. Strip back insulation approximately 2.5 in. (64 mm) from the end of the Pre-insulated Tube Bundle.



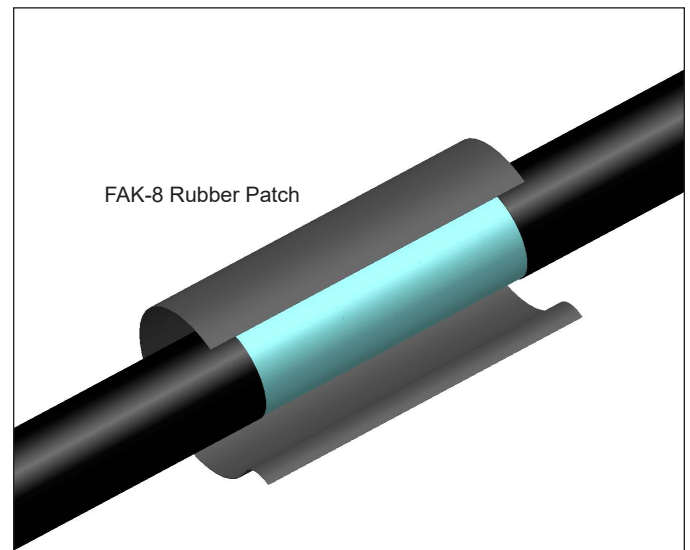
Note 1:
Do not cut or damage the heat trace.
(Found on TubeTrace SE/ME bundles)



2. Make connections with appropriate fittings (provided by others). Test fittings for leaks before proceeding. If tubing bundle includes heat trace, make splice per kit instructions included with heat tracing.



3. Wrap tube(s) with 1 pass of heat reflective tape (25% overlap). Then wrap with 3 passes of glass fiber tape (50% overlap). Complete with 1 additional pass of heat reflective tape.



4. Cut a strip of FAK-8 patch long enough to wrap completely around the bundle and make a minimum overlap of 26 mm (1"). Wrap FAK-8 patch material over splice area overlapping outer bundle jacket to a minimum of 26 mm (1"). Press into place to form a water tight seal.

