



PRODUCT SPECIFICATIONS

Insulation Entry Kits

APPLICATION

The Insulation Entry Kit (IEK) is used for inserting permanent circular and non-circular cables into the insulation. The kit protects and seals the cable while penetrating the insulation cladding.

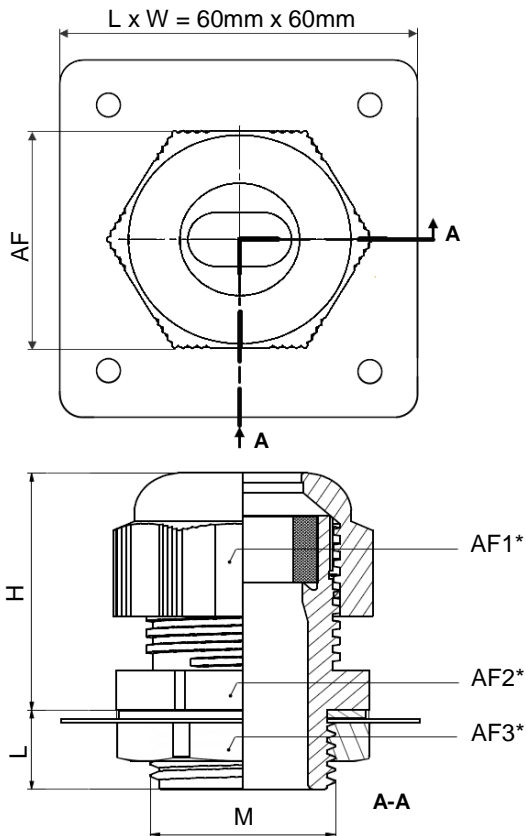
RATINGS / TECHNICAL DATA

Glands IEK-14, IEK-18, IEK-19, IEK-20:
Protection ClassIP66/IP68 (EN60529)

Gland IEK-TES-1 LT:
Protection ClassIP66/IP68 (EN60529)



DIMENSIONS



*AF= Width across flats

CONSTRUCTION

IEK14, IEK-18, IEK-19, IEK-20, IEK-TES-1 LT:

- Gland Body & Cap NutPolyamide
- Sealing.....Silicon
- ColorBlack
- IEK plate.....SS304
- Locknut.....Brass
- Washer.....Silicon
- UV resistant

Item Description	Thread	L mm	H-max mm	AF1 mm	AF2 mm	AF3 mm	Torque Value Nm	Seal Number	Ambient Temperature	Item Number	Cable
IEK-14	M25 x 1,5	10	30	24	27	30	4,5	FS2-13,5	-60°C to +80°C	471.000.014	HTSX, KSX, FP
IEK-18	M25 x 1,5	10	32	27	27	30	5,5	FS3-16	-60°C to +80°C	471.000.018	HPT, KSR
IEK-19	M25 x 1,5	10	37	33	33	30	8,0	FS1-21	-60°C to +80°C	471.000.019	BSX, FLX
IEK-20	M25 x 1,5	10	37	33	33	30	8,0	FS2-21	-60°C to +80°C	471.000.020	VSX, RSX
IEK-TES-1 LT	M20 x 1,5	10	33	24	24	24	1,5	-	-60°C to +75°C	471.000.016	TESH / PT100